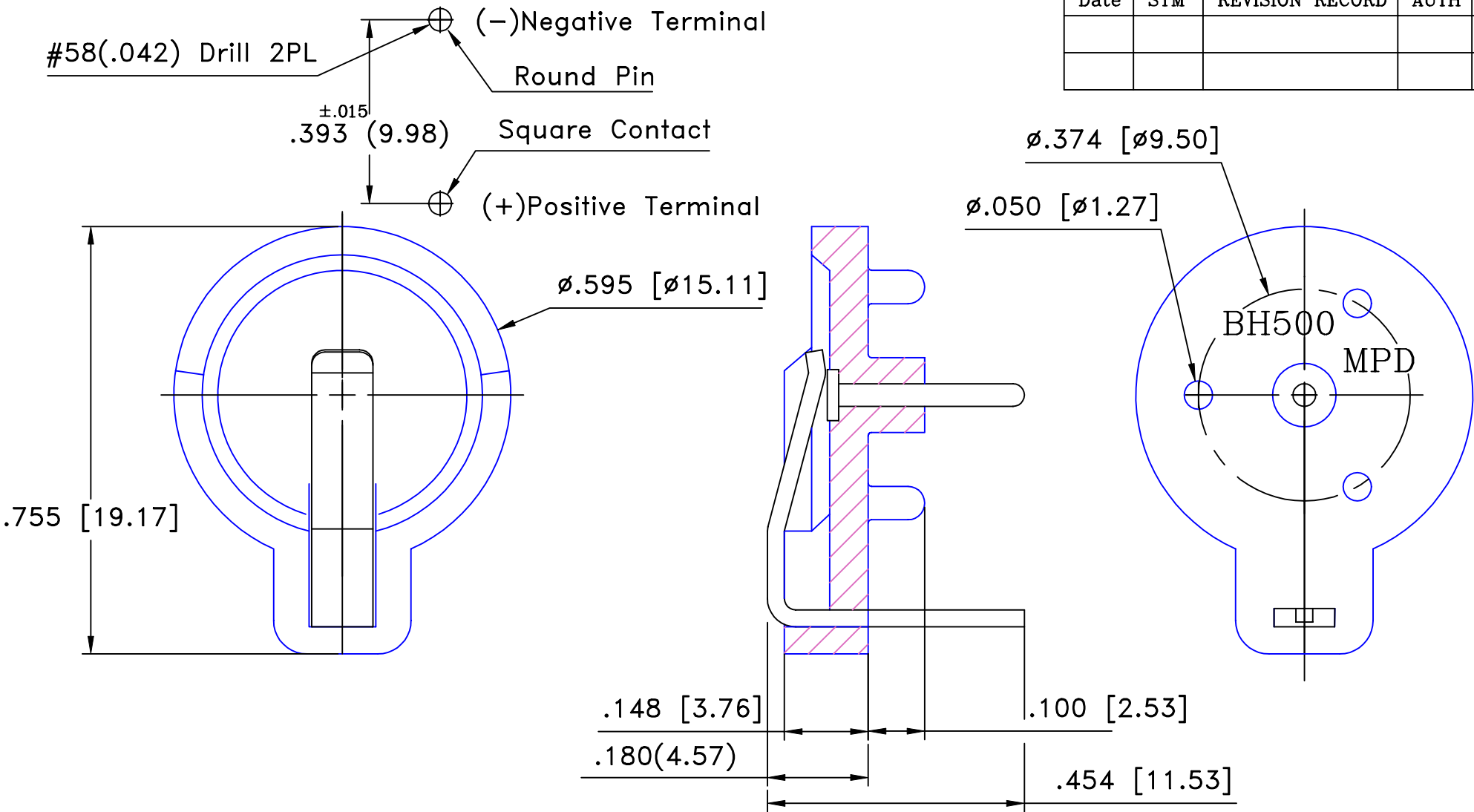



Date	SYM	REVISION RECORD	AUTH	DR.	CK.



SPECIFICATIONS

- *Holder material—thermoplastic, black PBT
- *Flammability rating—UL94V-0, File No.88499(M)
- *Contacts—302 spring temper stainless steel nickel plated overall
- *Dielectric strength—560volts/mil at 25°C for 5seconds
- *Temperature range— -55° to +180°C
- *Resistance to solvents—Xylene,ethyl,butyl,methyl&proptl alcohol;ethyl acetate,heptane;toluene;refrigerant

Tolerance (Except as noted)	 Memory protection Devices, Inc 200 Broad Hollow Road, Farmingdale, New York 11735		
decimal		Scale	Drawn By T.S.
$\pm .5$ (.020)		4=1	Approved By T.B.
Fractional	Title		
$\pm .8$ (.030)	CR/BR 1216, 1220, 1225 BATTERY HOLDER		
Angular	Date	Drawing Number	
$\pm 3^\circ$	10/18/00	BH500	